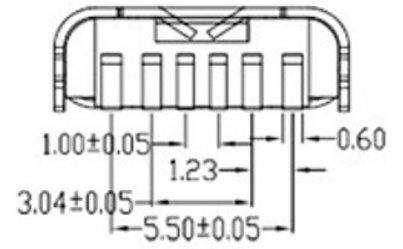
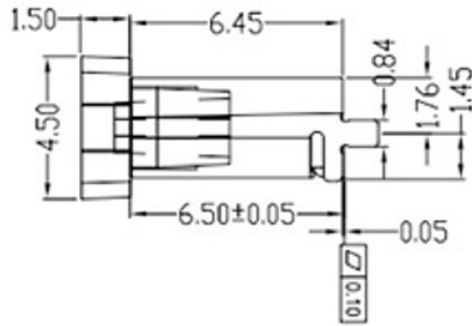
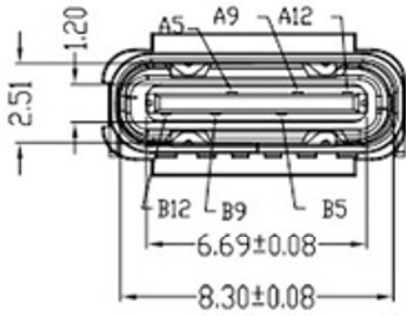


RECOMMENDED P.C.B. LAYOUT  
TOLERANCE UNSPECIFIED ±0.05mm



[info@rbtelectronics.com](mailto:info@rbtelectronics.com)