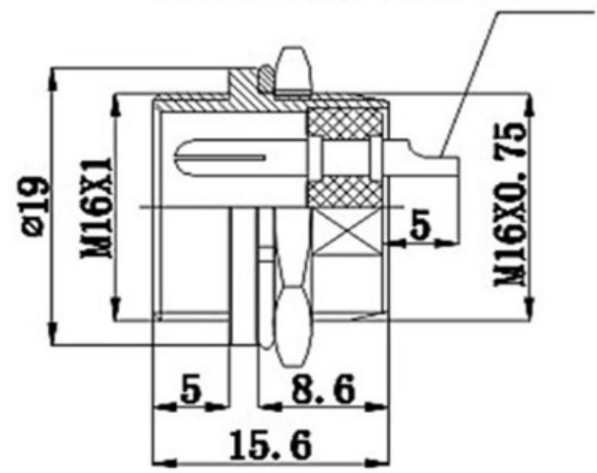


Contact can be custom made PCB pin



info@rbtelectronics.com