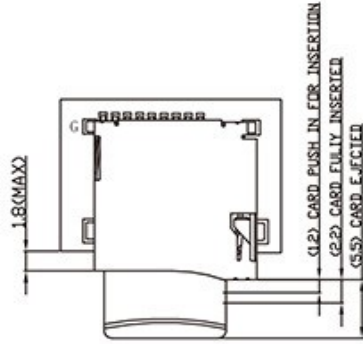
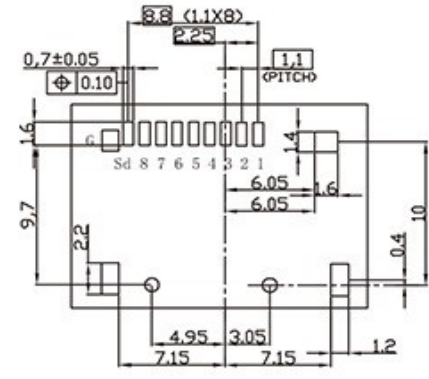
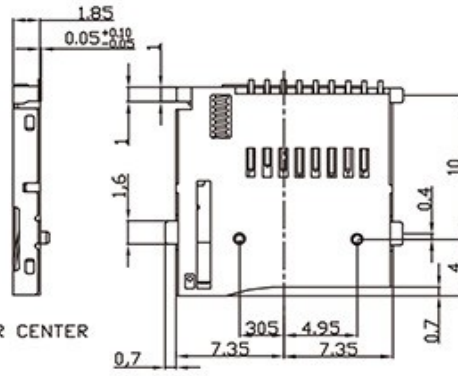
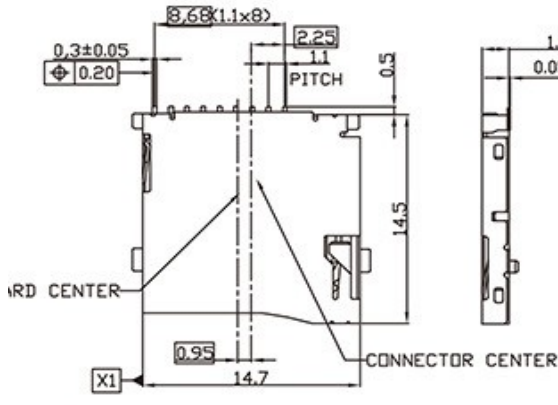


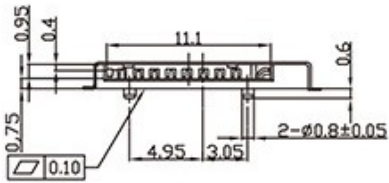
CARD DETECTION SWITCH	
WHEN CARD IS EJECTED	WHEN CARD IS INSERTED
OPEN	CLOSE
Cd G	Cd G



ITEM	PART NUMBER	PART NAME	QTY	MATERIAL
1	PP101C0020	BODY	1	LCP+35%GF
2	PP301C0020	SLIDER	1	LCP+35%GF
3	PS101C0040	CONTACT	1	C5210R-EH
4	PS204C0020	SHELL	1	SUS304R-3/4H
5	PS621C0030	DRAG LINK	1	SUS304
6	PS511C0020	SPRING	1	PIANO WIRE



RECOMMEND PCB BOARD LAYOUT



PIN NUMBER	PIN ASSIGNMENT	PIN NUMBER	PIN ASSIGNMENT
1	DATA2	6	VSS
2	CD/DATA3	7	DATA0
3	CMD	8	CAT1
4	VDD	Sd	CARD DETECTION
5	CLX	G	GROUND

MTC

info@rbtelectronics.com