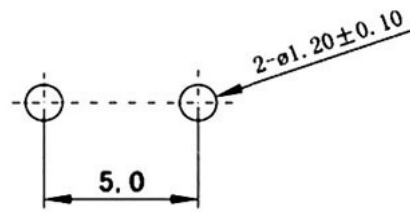
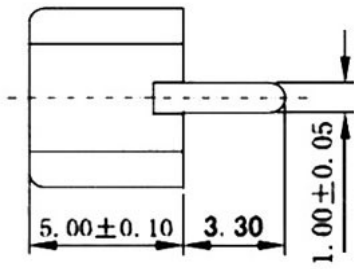
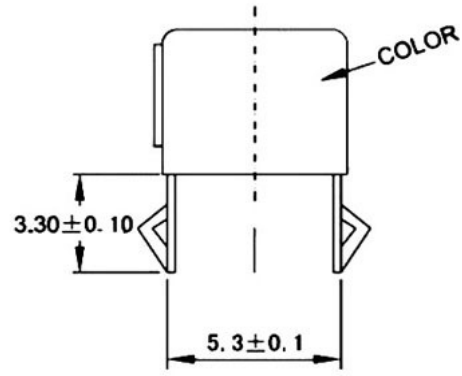
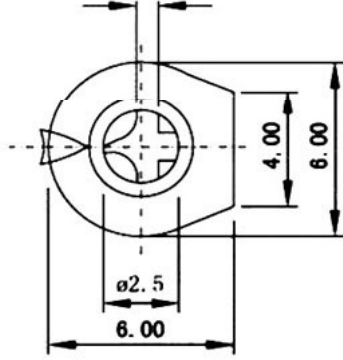


0.6±0.2 DIP 0.5 DRIVER HOLE



info@rbtelectronics.com